

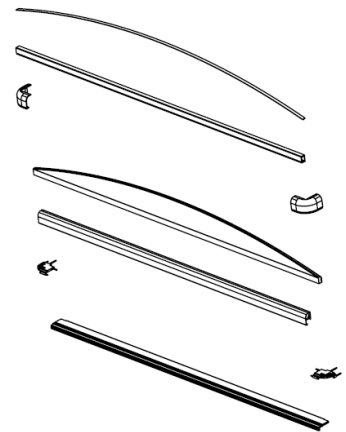
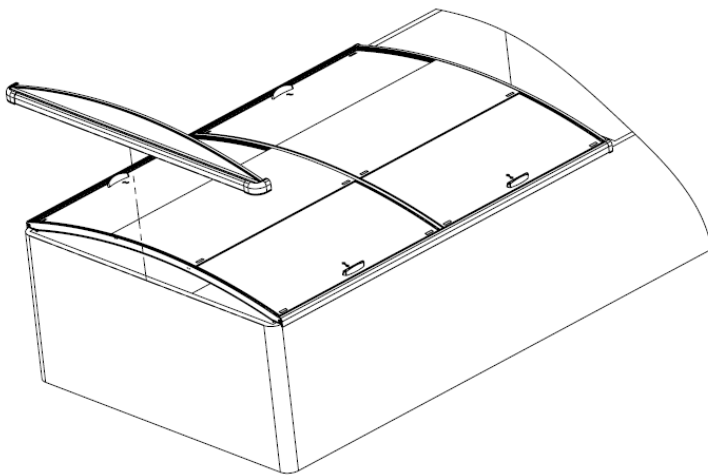
MULTI DOME® PUSH/SLIDE Fitting Instruction, End gable

This Fitting Instruction is exemplified by a MULTI DOME® PUSH/SLIDE Curve, end gable, but is applicable to both MULTI DOME® PUSH/SLIDE Curve and MULTI DOME® PUSH/SLIDE Plane.

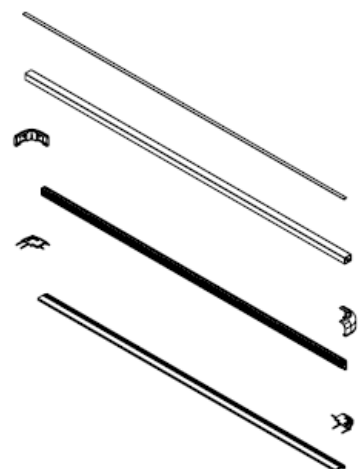
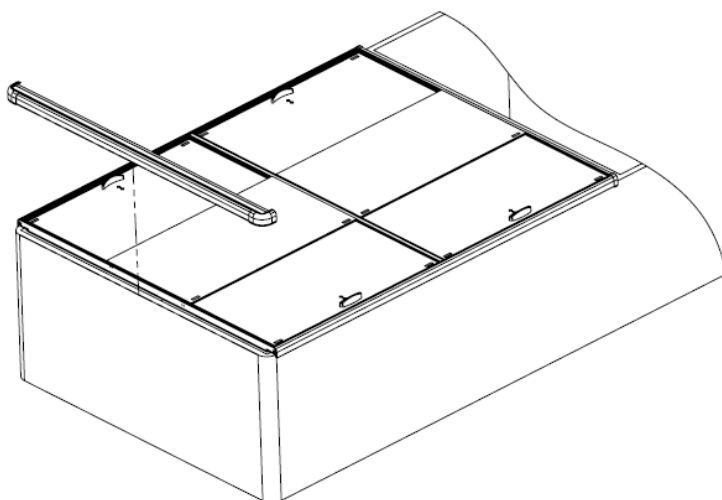
Installation differences between MULTI DOME® PUSH/SLIDE Curve and MULTI DOME® PUSH/SLIDE Plane, will be evident from the fitting instruction.

Please read the full Fitting Instruction before initiating the installation.

MULTI DOME® PUSH/SLIDE Curve



MULTI DOME® PUSH/SLIDE Plane



The order for assembling:

1. Base profiles and inner corners
2. Cover profiles
3. Outer corners
4. Gables (curve)
5. Cover plate
6. Gap profile

NOTE:

The top of vertical glasses must be clean to ensure optimum attachment of the adhesive sealant.

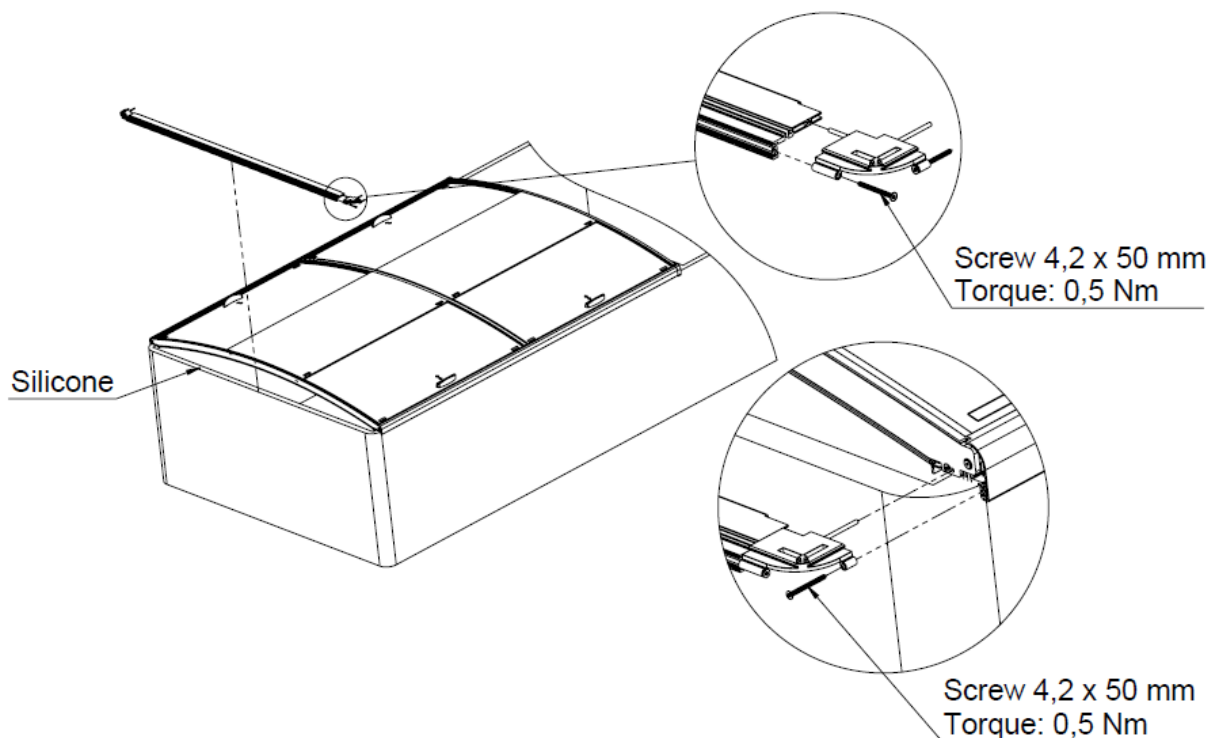
Adhesive sealant must be able to bond to both base profiles (PVC) and top of vertical glass walls. Silicone based sealant recommended.

1. Base profile and inner corners:

Mount the inner corners with screws and fit the pins into the base profile.

Center the base profile and mount it with silicone at the top of the glass wall.

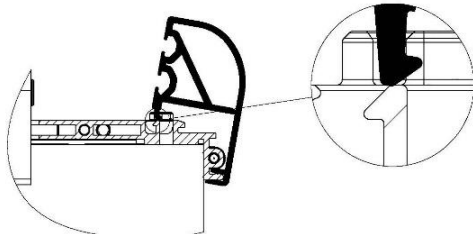
The pins at the inner corners must be directed into the base profiles at the section.



2. Cover profiles:

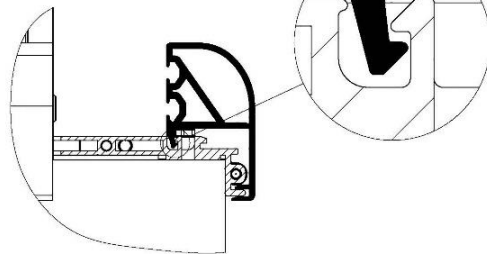
When mounting the cover profile, it is necessary that the cover profile must be rotated about 10° for mounting. Step 1 and 2 are shown from the end of the cover profile.

Step 1



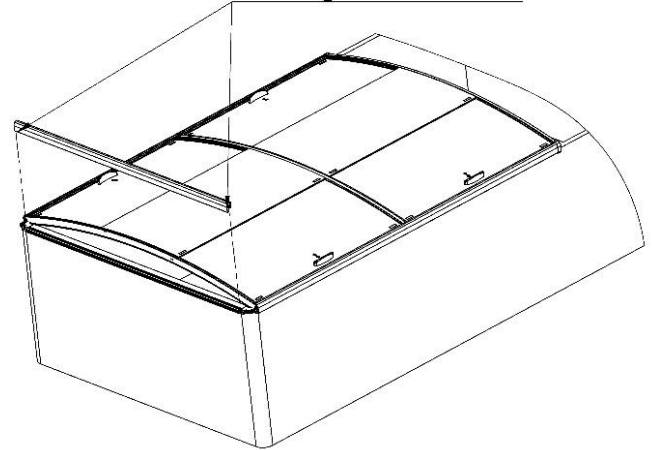
Cover profile rotated
(About 10°)

Step 2



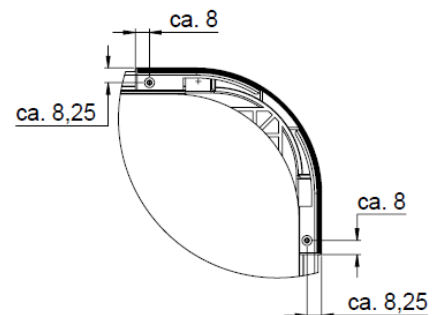
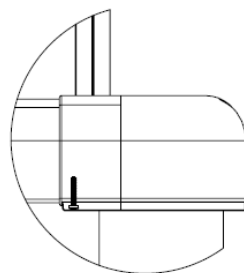
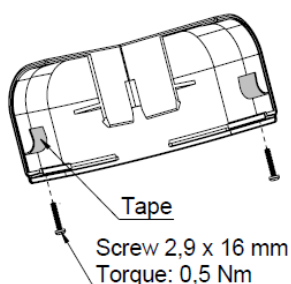
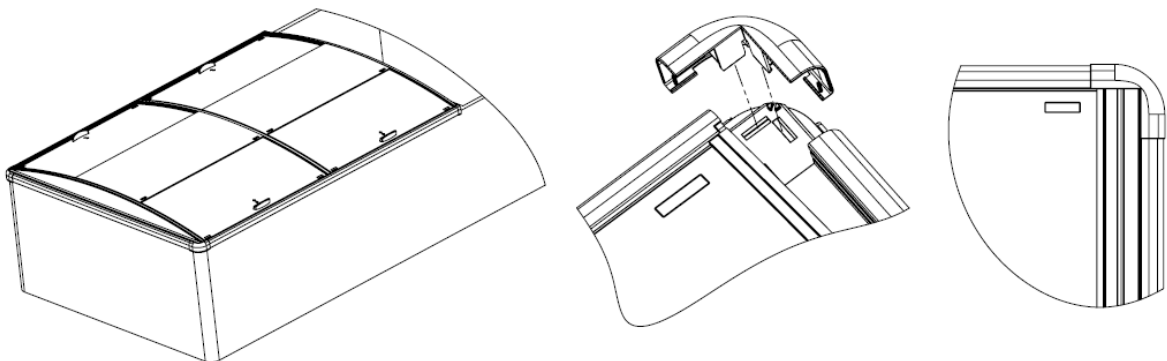
Cover profile installed

Starting from one end



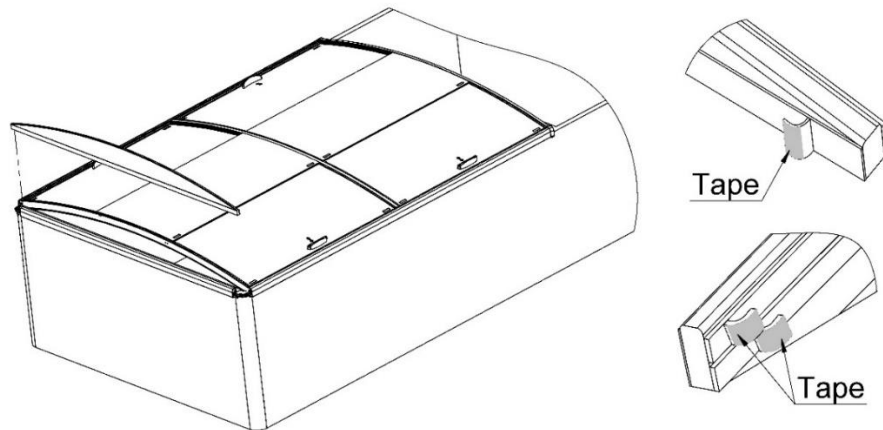
3. Outer corners:

Fit the two taps, of the outer corner part into the holes in the inner corner part, and mount the part with tape. Twist the outer corner part for easier installation. The self-drilling screws mounted from below through the outer corner and base profile.



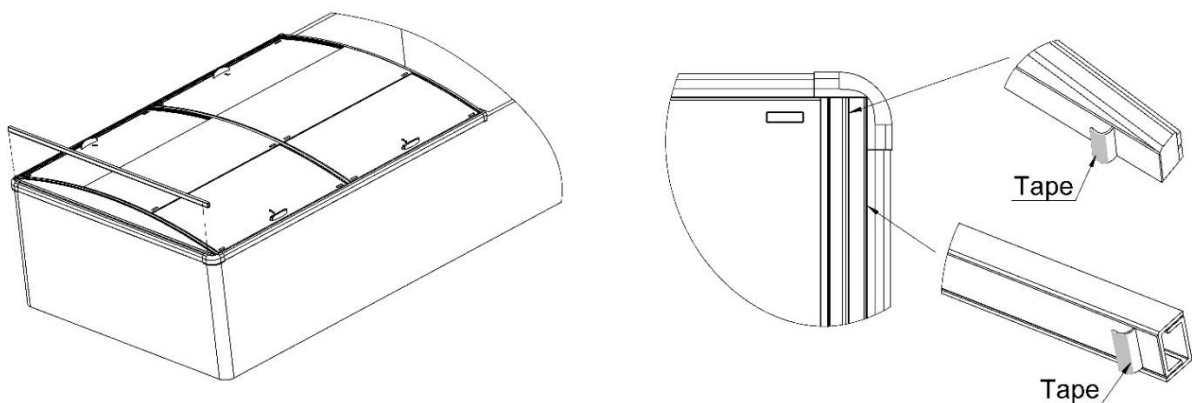
4. Gables (curve):

The gable must be inserted in the gap between the half cross profile of the section, and cover profile/cover plate with tape.



5. Cover plate:

The cover plate must be inserted towards the cover profile and attached with tape. When it has been positioned, remove the tape liner at both sides.



6. Gap profile:

To fill the gap in between the end gable and the section, use the gap profile and mount it with tape. Before mounting the tape, surfaces must be cleaned.

