

Disassembly the cover profile on MULTI DOME® PUSH/SLIDE system

When having to disassemble of cover profile on MULTI DOME® PUSH/SLIDE system the steps described in the installation manuals must be carried out in reverse order. Therefore, these serve as a guide for disassembly as well.

In order to carry out this operation please follow the instructions below. Demounting the profiles incorrectly will lead to damaged or destroyed profiles.

For the demounting of the cover profile, several different tools can be used to grip the profile. The used tools need to have the ability to grip onto each side of the cover profile, securing the needed grip and torque to disengage the snap connection of the cover profile.

Shown below are a selection of tools that can be used to do this task.

To the right a cloth are shown. This cloth should be placed between the cover profile and the tool, if the tool does not have a soft material in the gripping area

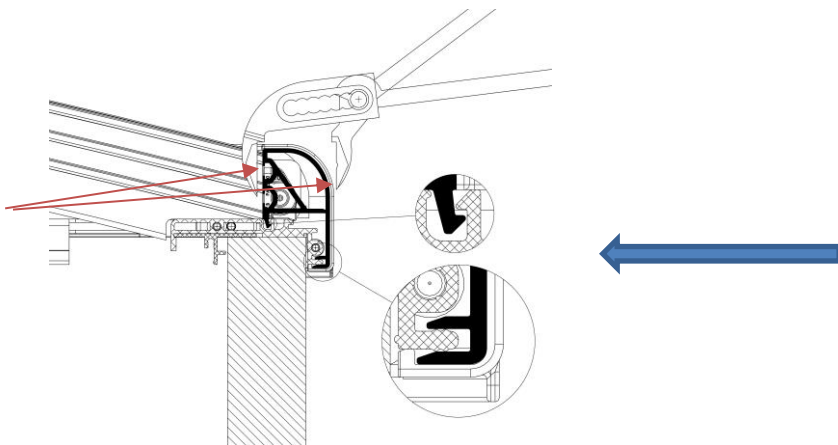


Examples of how to use different tools for this specific task

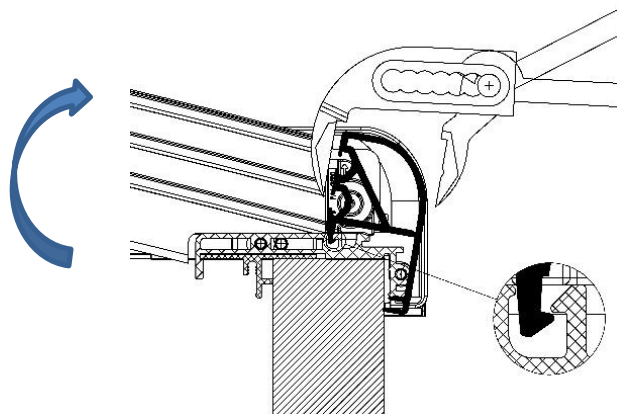


1st step: Clamp down on the cover profile and push horizontally forward to unhook the two parts of the snap connection

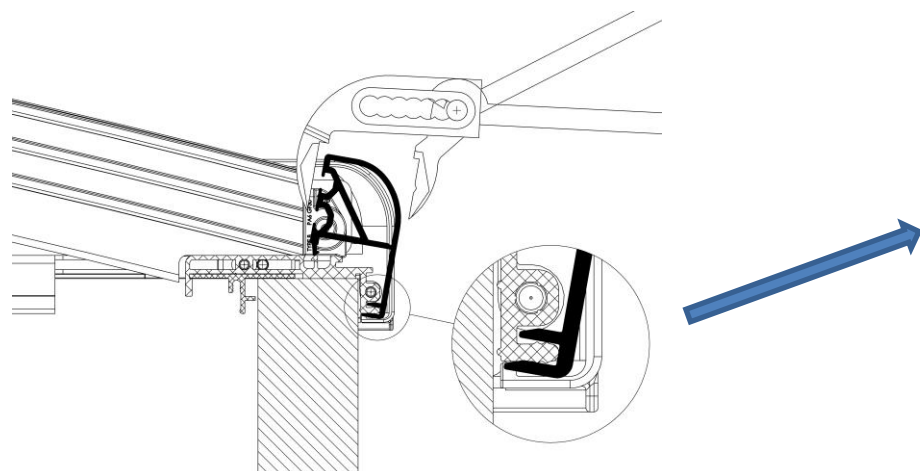
! Place a cloth or similar between the tool and the cover profile, if the tool does not have a soft material in the gripping area



2nd step: While performing first step then rotate the cover profile in order to release the snap connection



3rd step: When snap connection is no longer activated then pull back the cover profile in a slight upwards direction



Demounting procedure must be initiated at one of the profile ends and then continued further along the longitudinal direction.